

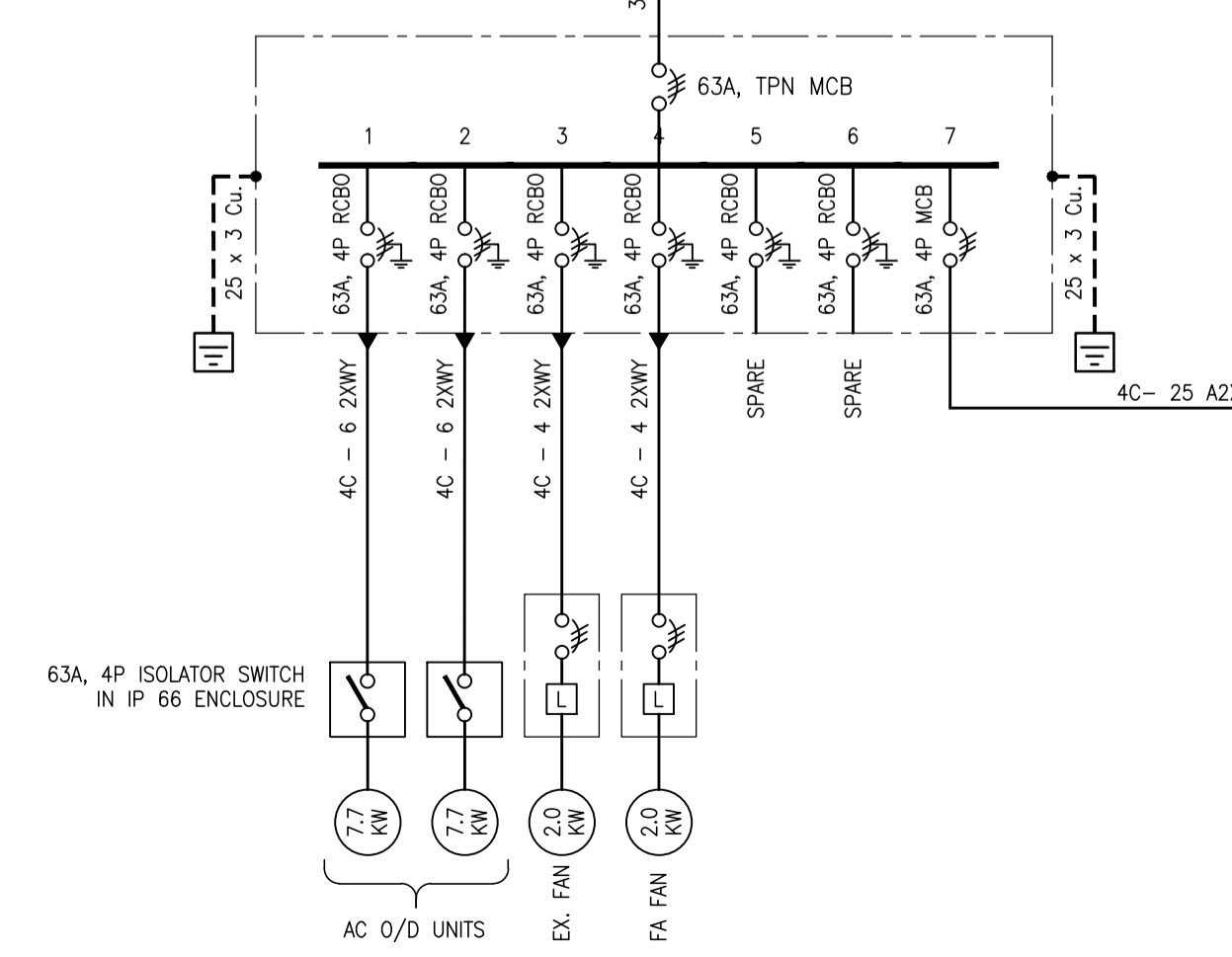
### LEGEND

SYMBOL	DESCRIPTION
	12W, LED 270x34x80 MM LINEAR SURFACE MTD. 5700K
	70W, LED 2400x34x80 MM LINEAR SURFACE MTD. 5700K
	1.0M LONG, LED LINEAR SURFACE MTD LIGHT FITTING.
	LED WALL MOUNTED LIGHTING FITTING.
	OUTDOOR WALL BRACKET LED.
	6A, ONE / TWO WAY SWITCH.
	6A, SOCKET OUTLET WITH SWITCH.
	20A, SP SOCKET WITH STARTER & PB.
	DATA OUTLET.
	VOICE OUTLET / INTERNET POINT
	BREAK GLASS UNIT WITH HOOTER.
	SMOKE DETECTOR.
	DISTRIBUTION BOARD.
	CCTV CAMERA
	EXIT LIGHT WITH BUILT IN BAT. BACK UP
	MINIATURE CIRCUIT BREAKER (MCB)
	RESIDUAL CIRCUIT BREAKER WITH OVERLOAD PROTECTION (RCBO)

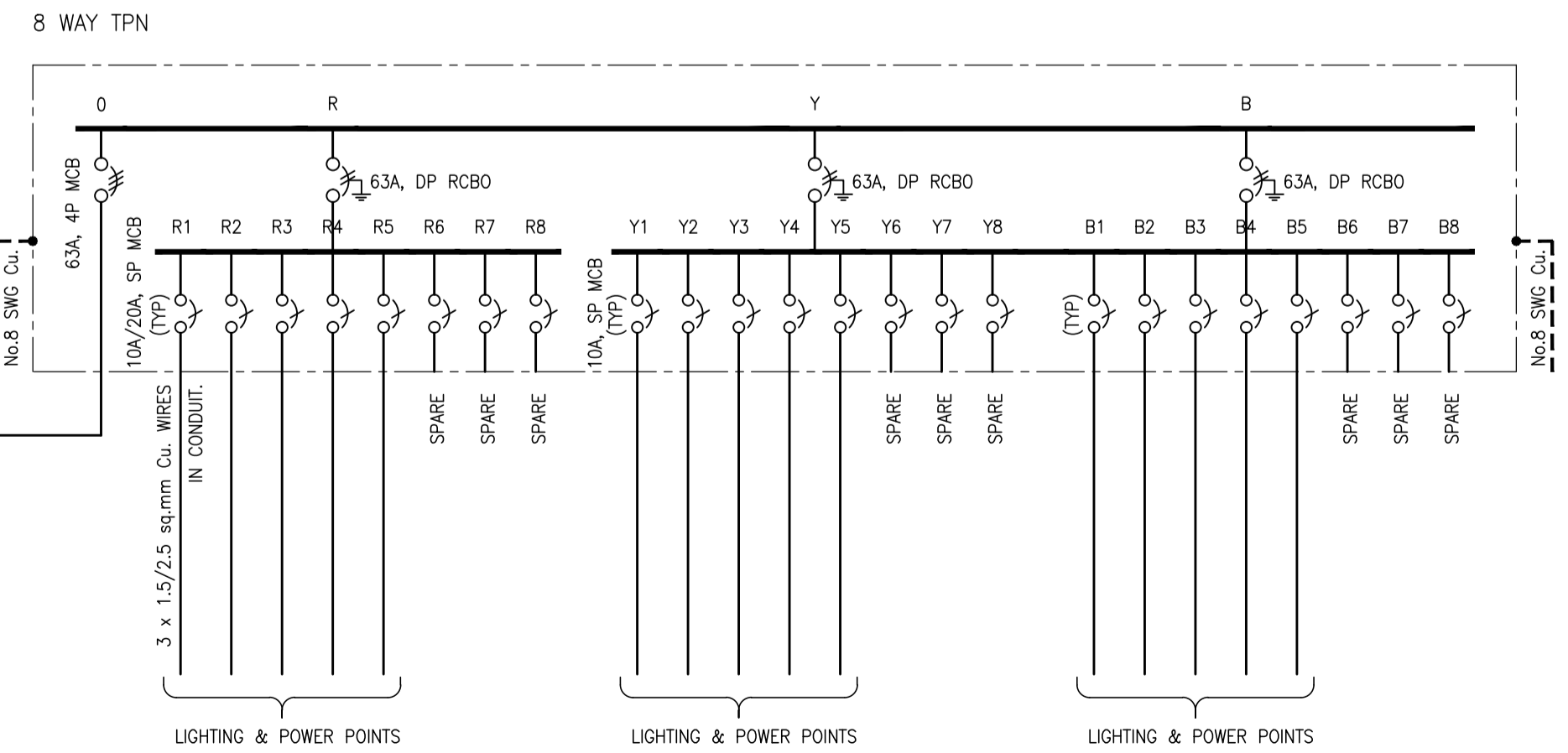
### NOTES:-

- 1) ALL WIRING IN WALL WHITE, FIRE RETARDANT UPVC CASING & CAPPING.
- 2) LIGHT / 6A, SOCKET POINTS WIRING WITH 3 x 1.5sq.mm FRLS WIRES.
- 3) 6/16A, SOCKET POINTS WIRING WITH 3 x 2.5 sq.mm FRLS WIRES.
- 4) DATA / VOICE / CCTV POINT WIRING WITH CAT-6 UTP CABLE IN CASING & CAPPING.

### MDB - BSMT (MMB)



### DB - BSMT (MMB)



DRAWING STATUS		APPROVAL	TENDER	EXECUTION	AS BUILT	SIGNATURE
				✓		

rev	date	description	ckd.
B	2024/02/02	REVISED AS PER SITE DISCUSSION.	
A	2024/01/29	REVISED AS PER ARCH. CHANGES	

consultants

122-123, SAI COMMERCIAL CENTRE, GOVANDI STATION ROAD, DEONAR, MUMBAI - 400 088. TEL : 26507100, 26507101.

project **CSMVS MAX MUELLER BHAVAN, mumbai.**

architects **R M A ARCHITECTS, mumbai.**

title **BASEMENT FLOOR LAYOUT - ELECTRICAL**

north	drawn	J.M.M	drawing no.	revision
	scale	1:50	<b>2533 - B - 11</b>	<b>B</b>
	date	2024/01/04		
	checked	K.K.		