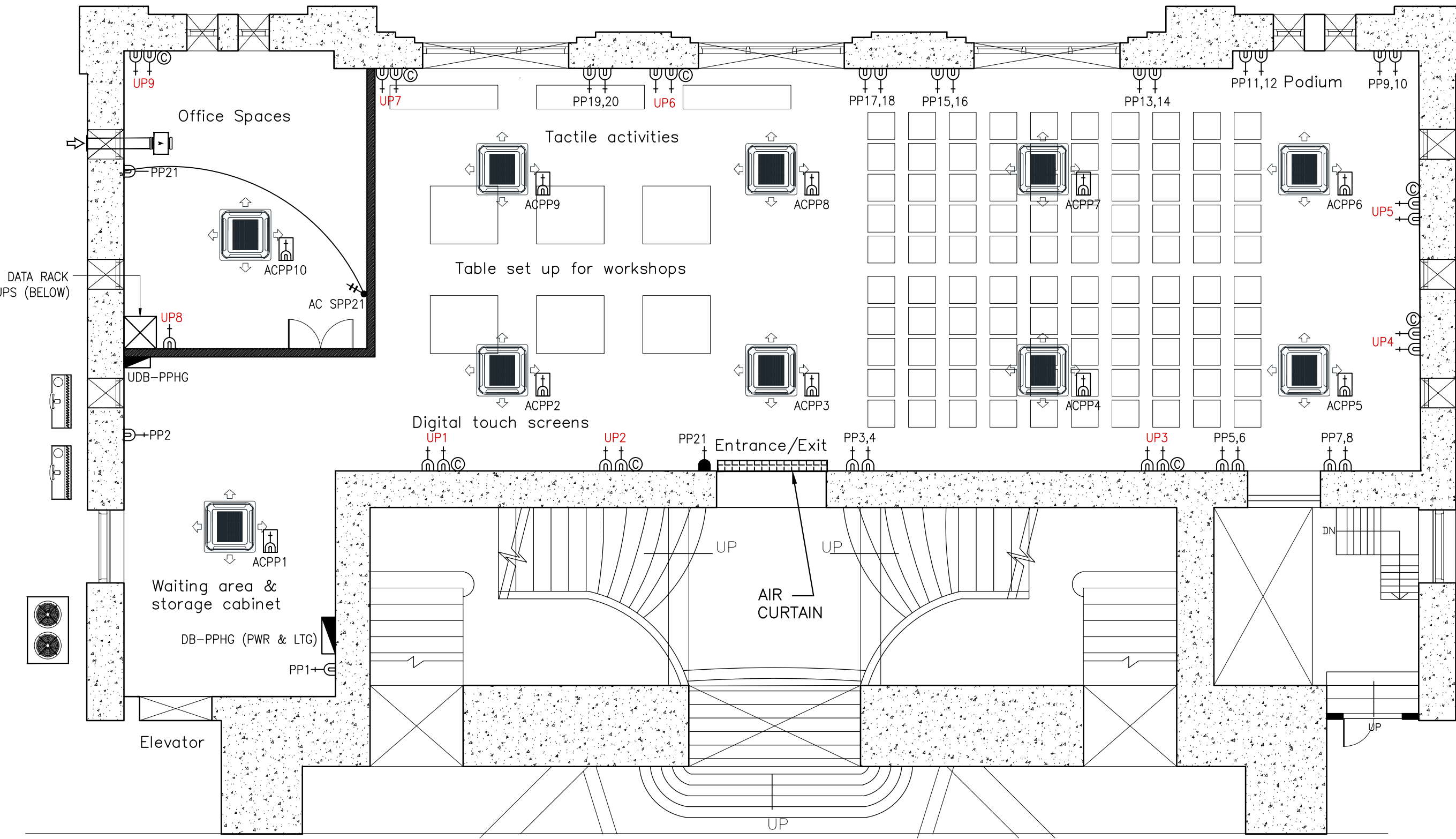


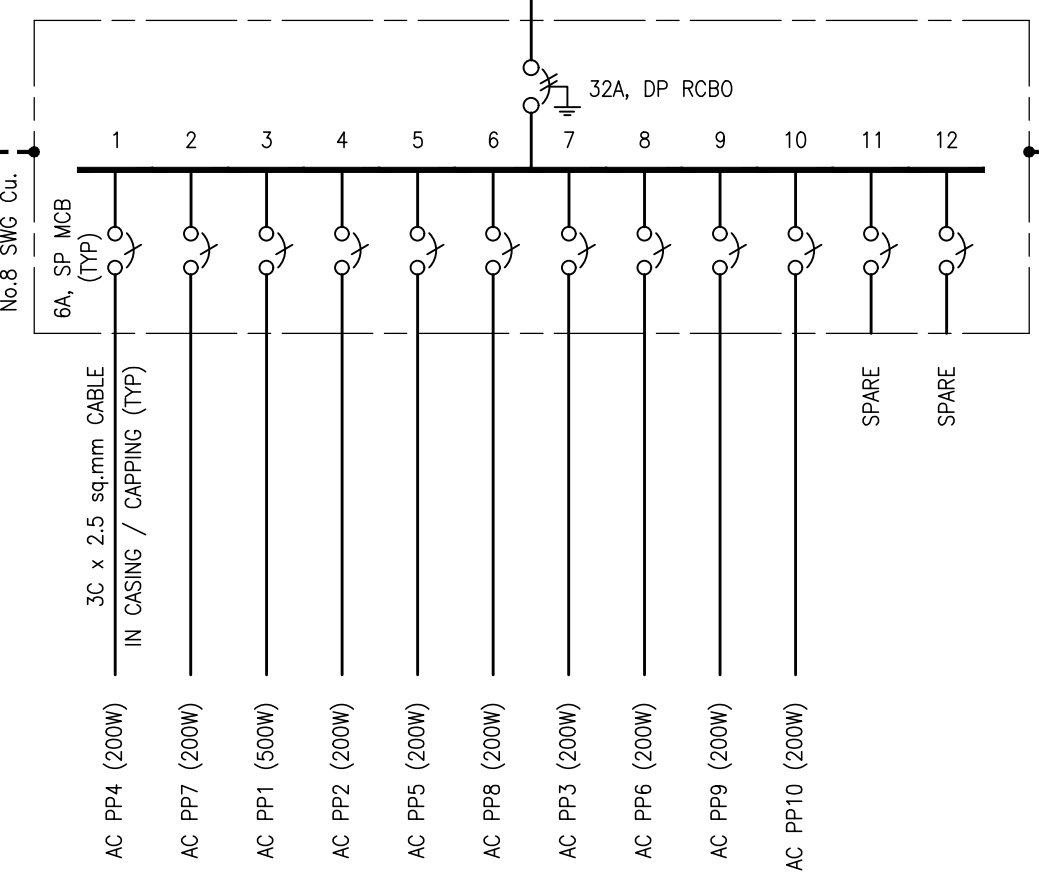
LIGHTING LAYOUT



POWER & ELV

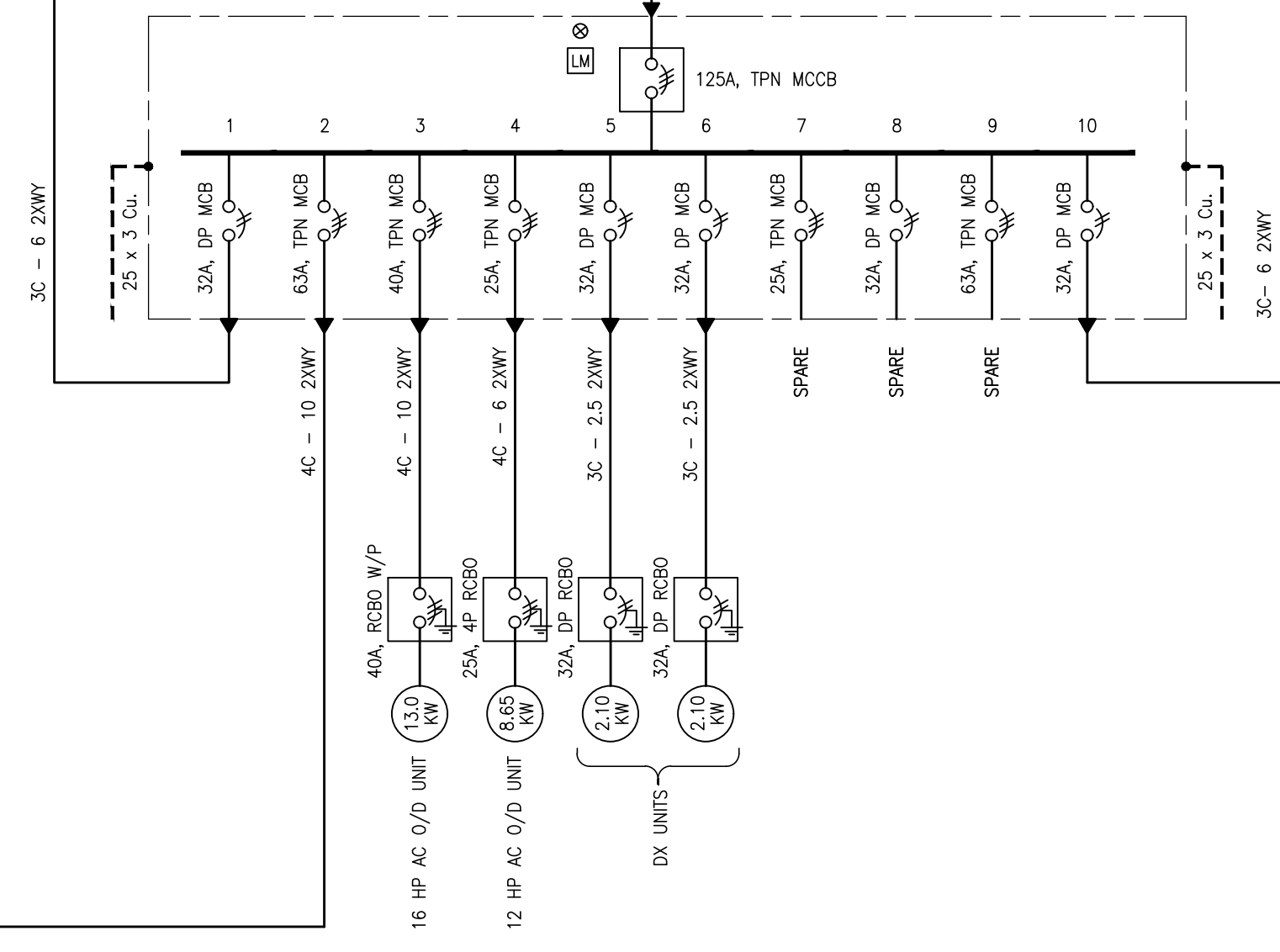
AC - DB

12 WAY SPN
CONN. LOAD : 2.10 KW



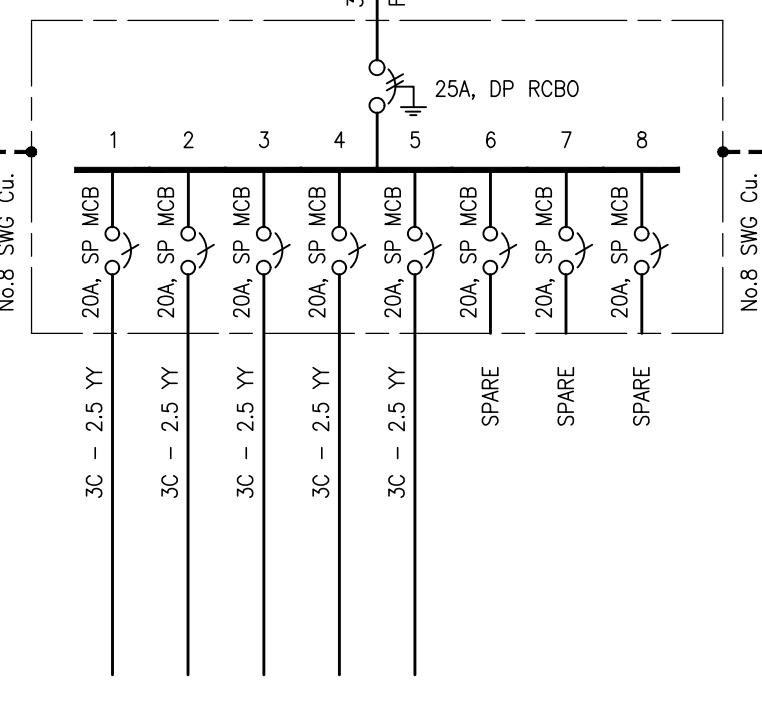
MDB - PPHG GALLERY

CONN. LOAD : 44.00 KW



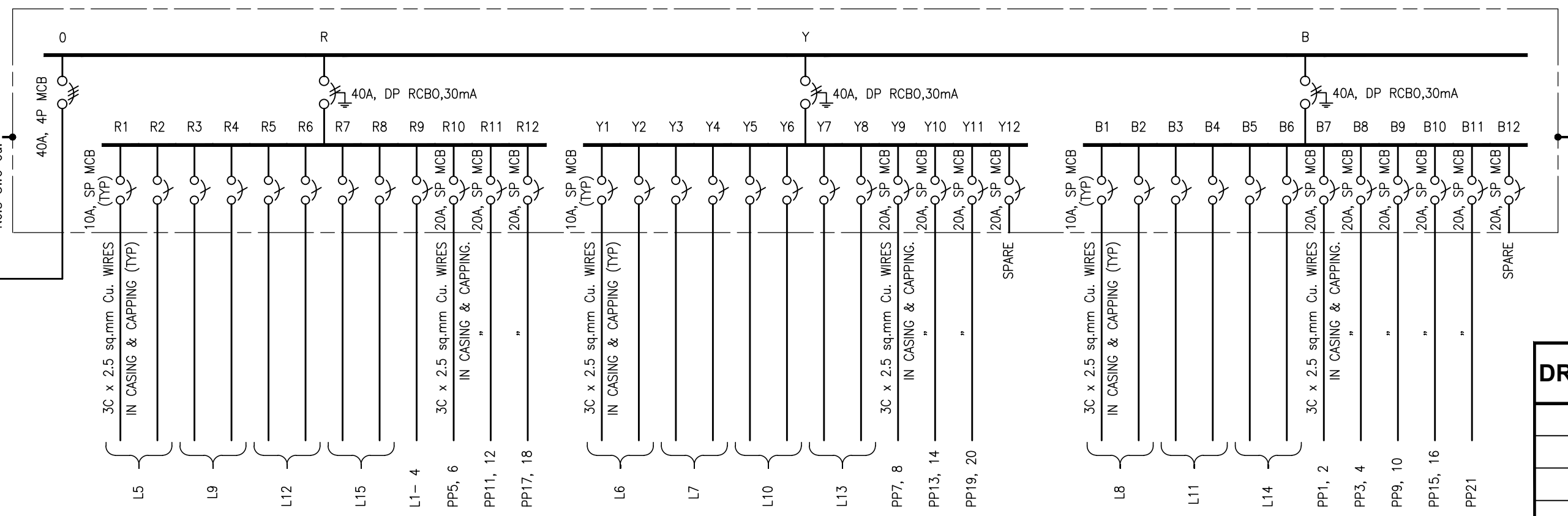
UDB-PPHG

8 WAY SPN
CONN. LOAD : 1.80 KW



DB - PPHG (PWR & LTG)

12 WAY TPN
CONN. LOAD : 13.50 KW



LEGEND

SYMBOL	DESCRIPTION
	2CKT TRACK SUSPENDED.
	2400MM LONG SUSPENDED LINEAR LIGHTS.
	6A SOCKET OUTLET WITH SWITCH.
	16A, DP SWITCH WITH INDICATOR LAMP
	6/16A, SOCKET OUTLET WITH SWITCH.
	20A, MODULAR SOCKET WITH ON / OFF PB SWITCH.
	6/16A, SOCKET OUTLET WITH SWITCH IN CEILING FOR CASSETTE UNIT.
	DATA OUTLET.
	SMOKE DETECTOR.
	CCTV

DRAWING STATUS

APPROVAL	TENDER	EXECUTION	AS BUILT	SIGNATURE
<input checked="" type="checkbox"/>	<input type="checkbox"/>	<input type="checkbox"/>	<input type="checkbox"/>	<input type="checkbox"/>

NOTES :-

- LIGHT POINTS WIRING USING IN CASING & CAPPING.
- 3C x 2.5 YY SQ. MM WIRES.
- 6/16A SOCKETS AT SKIRTING LVL USING 3C x 2.5 SQ. MM CABLE (YY) IN CASING & CAPPING FROM DB.
- EXISTING NEIGHT LIGHT TO BE RETAINED.
- EXISTING FA & CCTV WIRING TO BE TAKEN IN CASING & CAPPING.
- EXISTING FA & CCTV CABLES TO BE TERMINATED TO DATA RACK.
- UPS POINTS TO BE WIRED FROM UDB USING 3C-2.5 YY IN CASING CAPPING.

rev date description copy

consultants

122-123, SAI COMMERCIAL CENTRE, GOVANDI STATION ROAD, DEONAR, MUMBAI - 400 088. TEL : 25507100, 25507101.

project **CSMVS MAIN BUILDING RENOVATION & UPGRADATION**

architects **CSMVS, mumbai.**

title **MEZZANINE FLOOR LAYOUT - PPHG GALLERY ELECTRICAL**

north	drawn	J.M.M.	drawing no.	revision
	scale	1 : 75	2406 - PPHG - 11	0
checked	date	2025/01/27		