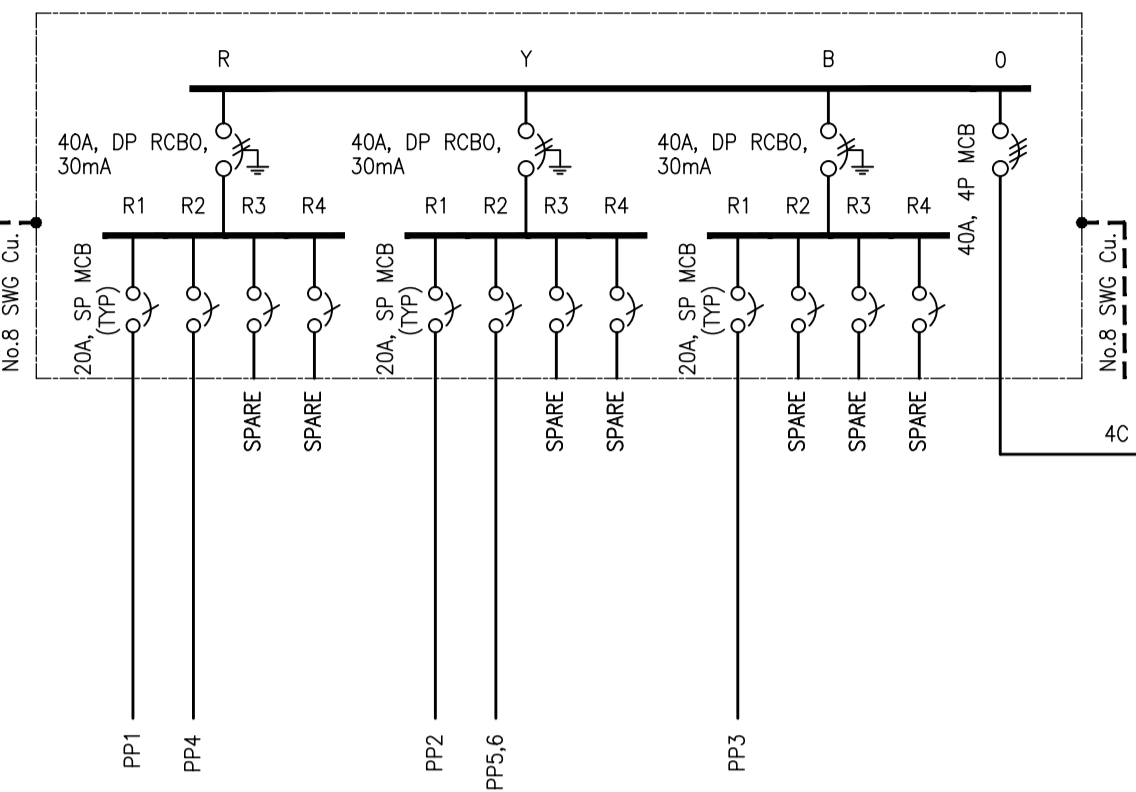


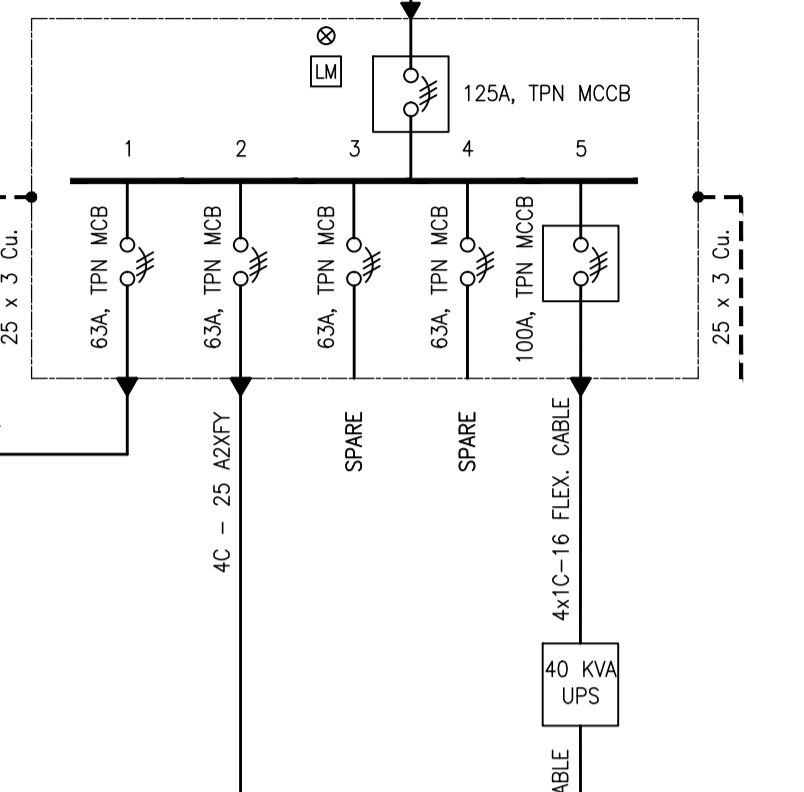
**PDB - AWG**

4 WAY TPN  
CONN. LOAD : 8.25 KW



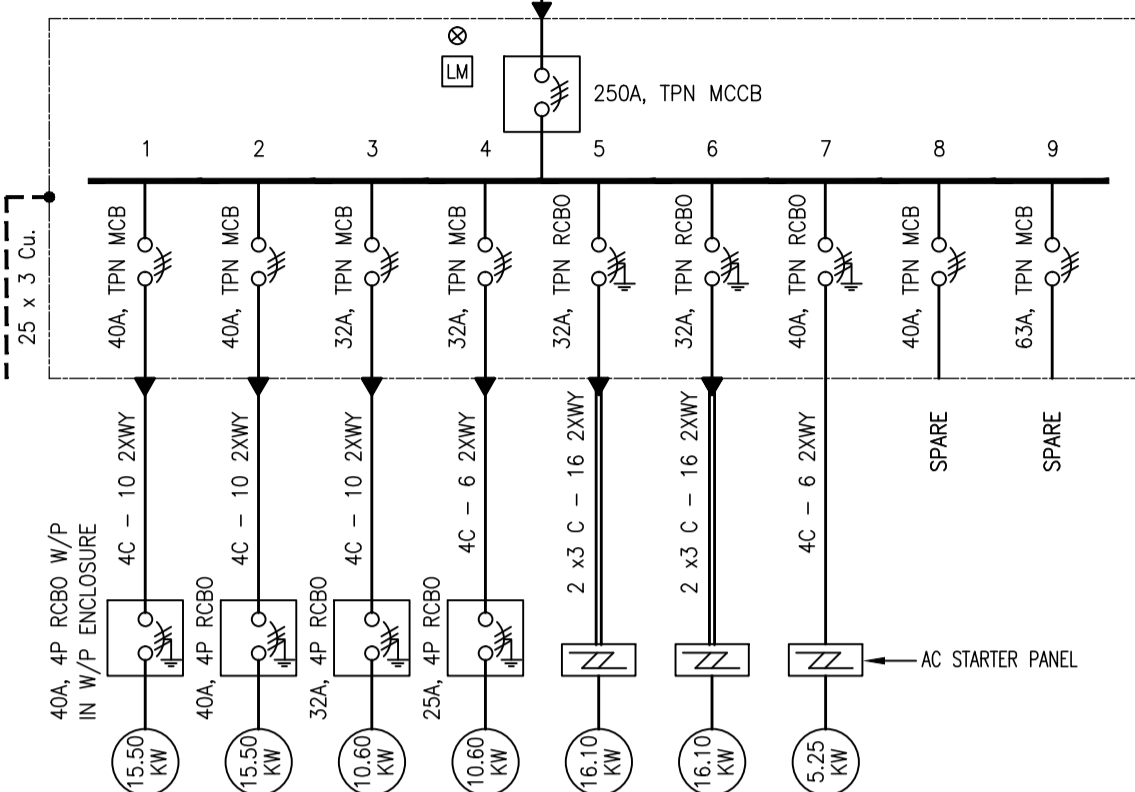
**MDB - AWG**

CONN. LOAD : 64.00 KW  
MAX. DEMAND : 35.00 KW



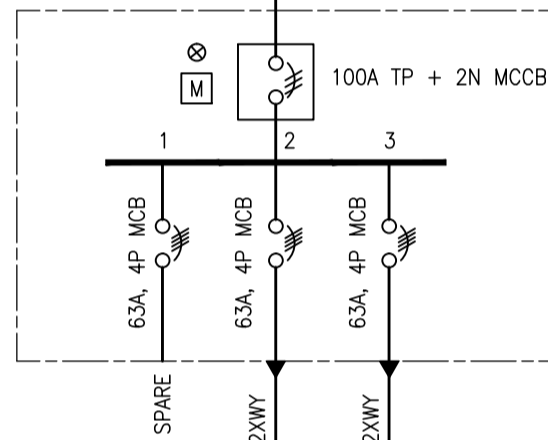
**AC MDB - AWG**

CONN. LOAD : 89.65 KW  
MAX. DEMAND : 80.00 KW



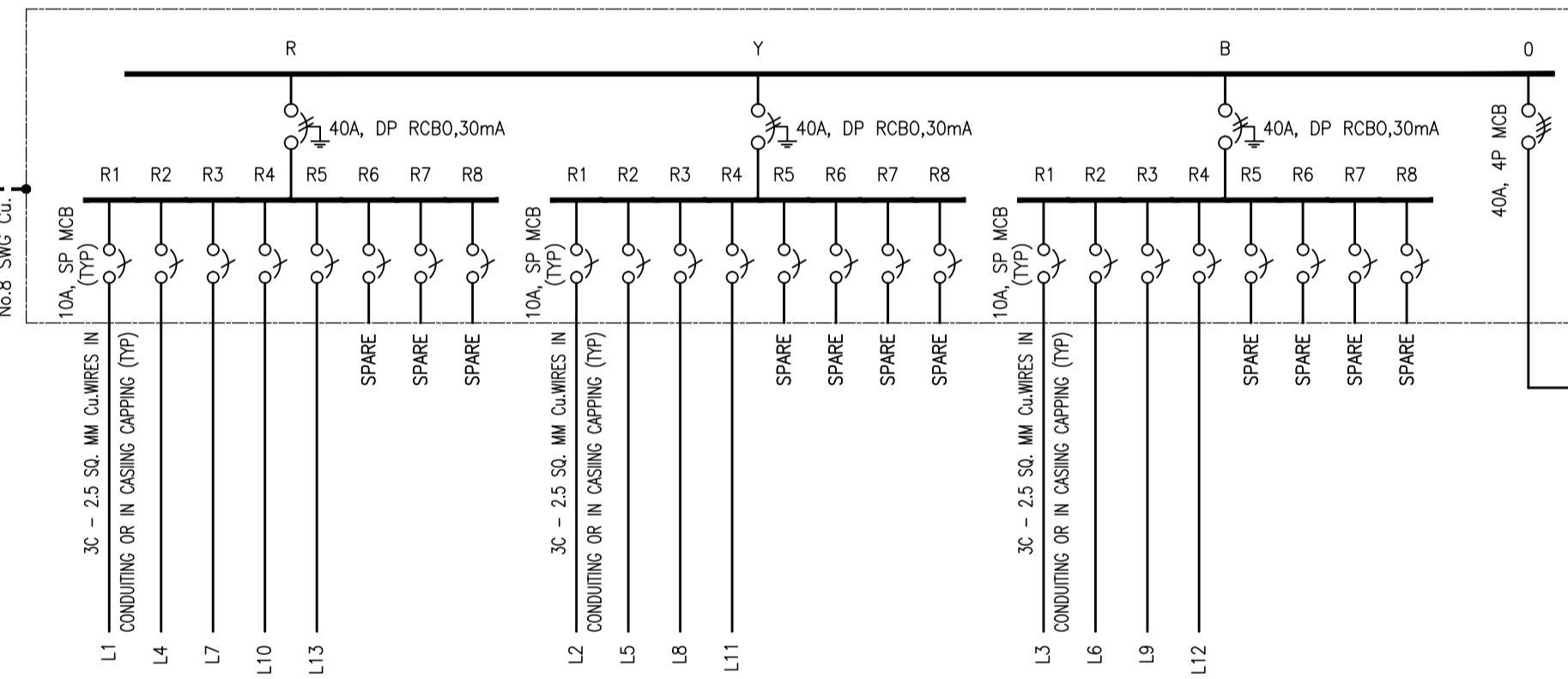
**UMDB - AWG**

CONN. LOAD : 45.75 KW.



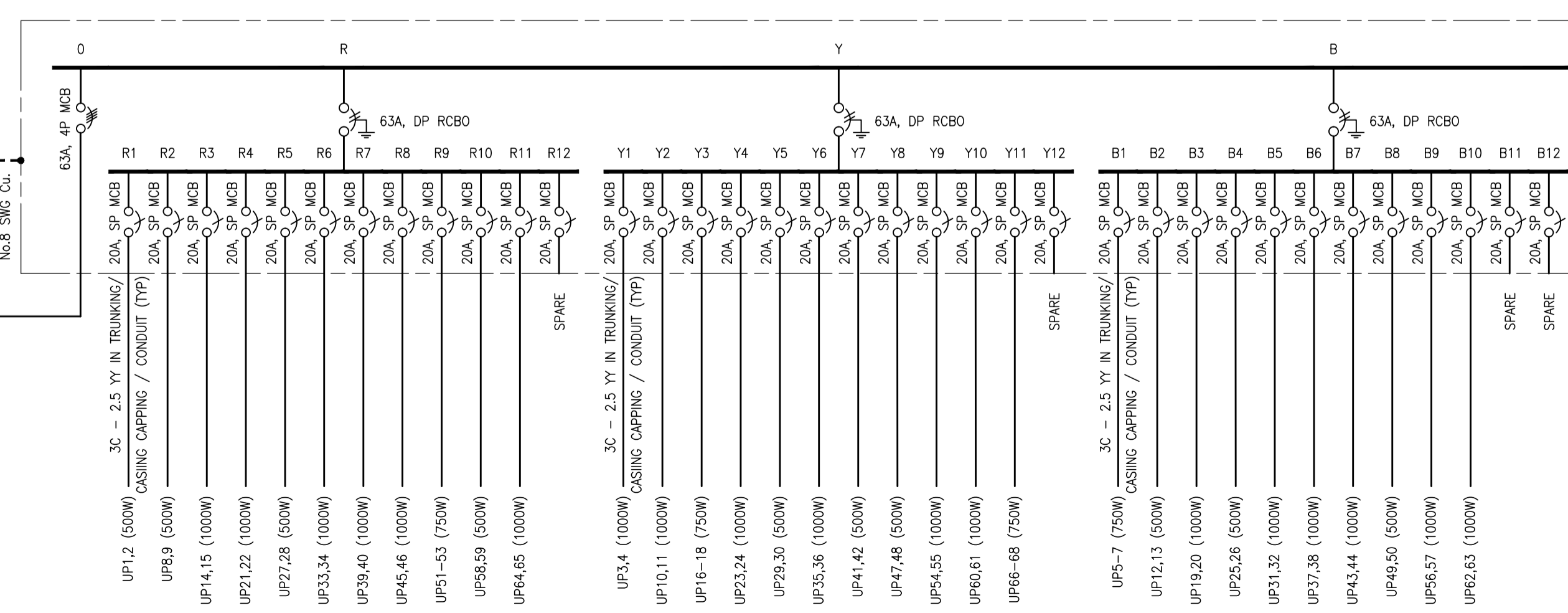
**LDB - AWG**

8 WAY TPN  
CONN. LOAD : 10.0 KW



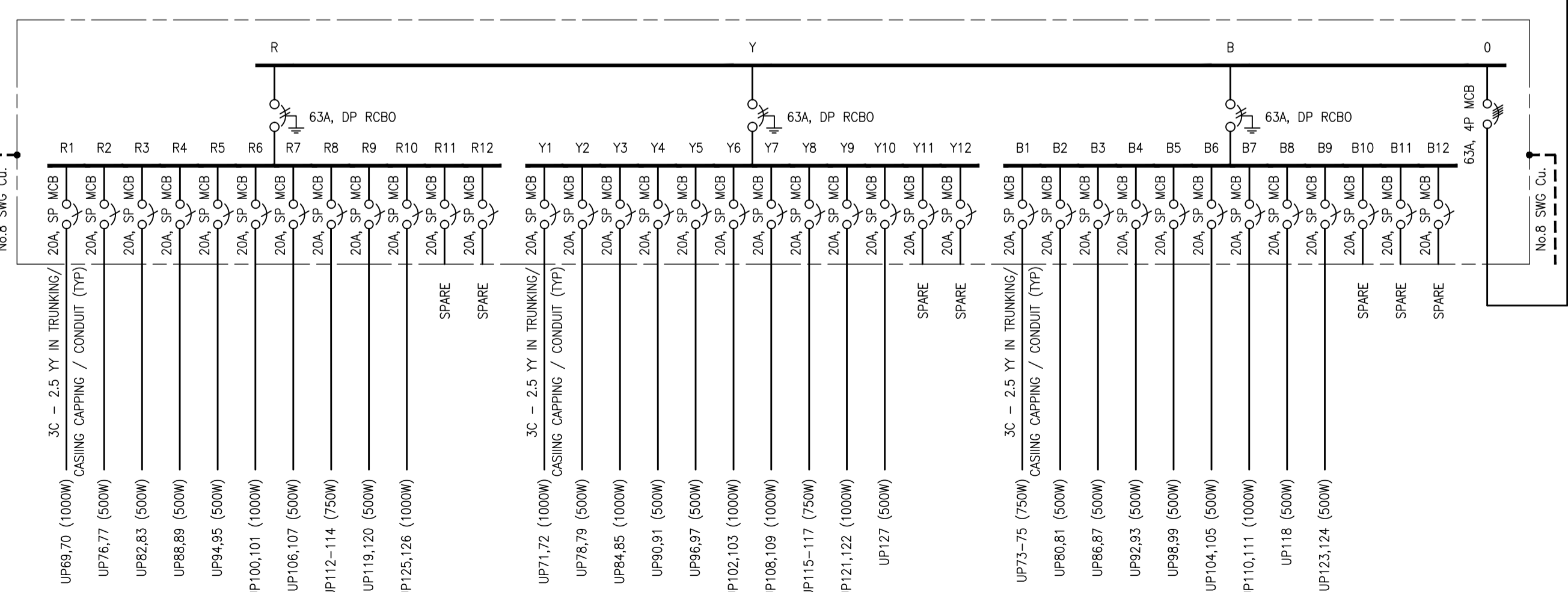
**UDB - AWG 1**

12 WAY TPN  
CONN. LOAD : 26.00 KW



**UDB - AWG 2**

12 WAY TPN  
CONN. LOAD : 19.75 KW



**LEGEND**

SYMBOL	DESCRIPTION
⊗	RYB PHASE INDICATING LAMP.
M	DIGITAL MULTIMETER/KWH METER.
LM	DIGITAL LOAD MANAGER
⊗	MINIATURE CIRCUIT BREAKER (MCB)
⊗	RESIDUAL CIRCUIT BREAKER WITH OVERLOAD PROTECTION (RCBO)
⊗	MOULDED CASE CIRCUIT BREAKER (MCCB)

DRAWING STATUS		APPROVAL	TENDER	EXECUTION	AS BUILT	SIGNATURE
rev	date					copy
consultants						
project		122-123, SAI COMMERCIAL CENTRE, GOVANDI STATION ROAD, DEONAR, MUMBAI - 400 088. TEL : 26507100, 26507101.				
clients		<b>ANCIENT WORLD GALLERY</b>				
title		<b>CSMVS COOMARSWAMI HALL , mumbai.</b>				
north		<b>SCHEMATIC POWER DISTRIBUTION</b>				
drawn	J.M.M.	drawing no.		revision		
scale	1:75	2406 - AWG - 13		0		
date	2025/02/19					
checked						